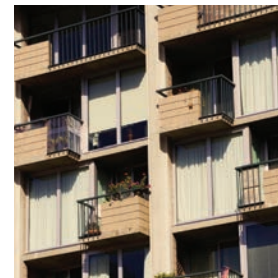




Product Specifications | Extrusion Details | Configurations

Quality. Care. Commitment.
series 6500 windows | versatile durability



Series 6500

2 1/2" - 3" Thermal Break Aluminum Windows - Inside Glaze



Introduction

Our Series 6500 (Inside Glazed) product line use 6063 extruded aluminum, age hardened to a T-6 rating for strength and durability. The profiles for this series are extruded as 2 separate parts and are then joined into a single profile using thermal struts. The aluminum extrusions are knurled and then crimped along the thermal profile to ensure a tight grip. The finished profile is thermally broken providing both improved thermal performance as well as improved condensation resistance. We use a 20mm offset thermal strut, although larger or smaller profiles are available upon request. (3" windows use a 31.9 mm strut)

The Series 6500 window line is available in the following finishes:

- | Class I Clear Anodized**
 - | Class I Bronze Anodized**
 - | Standard White
 - | Custom Anodized
 - | 70% Kynar Paint Color
 - | A combination of the above finishes on the Interior vs. Exterior
- Before the interior and exterior profiles are joined with the thermal strut, they can be painted or anodized with separate colors for a two-toned window.*
- ** Indicates Finishes In Stock.*

Construction

Corners of frame and ventilators are mitered and crimped for structural integrity. Our typical construction uses 2 corner keys per corner in the vent and the frame. We can manufacture the frame and vent with up to 4 corner keys per corner. All muntin and other intermediate bars are firmly attached to their cross joints and their abutting sash sections. The frame sill, vents, and intermediate bars contain weep provisions. Frames are drilled and tapped to receive screen attachment hardware as required. All surfaces to be glazed have a bead retaining notch.

Hardware

Projected & Casement Windows: Vents shall operate on 4-bar heavy duty stainless steel hinges, and have die cast zinc cam handles with pole ring. brushed nickel hardware is available upon request.

Series 6500 awning and casement alternate: A worm gear rotary control operator with butt hinges and side mounted locking handle is provided for each casement ventilator. Casements can have a multipoint lock system upon request. Awnings can also be equipped with worm gear rotary hardware with loose pin/concealed hinges and locking handles on the jambs.

Screens

Screens are made of painted roll formed aluminum to match the window frame and use charcoal fiberglass mesh with plastic wicket doors. Wire mesh and Ultraview mesh screens are available upon request. The screens are installed and are removable from the inside of the building.

Series 6500 rotary casement and awning windows will have flat screens, also removable from inside the building.

Glazing

The Series 6500 offer a 1" OA on insulating glass units and 1/2" single glazed.

Weather-stripping

Our Series 6500 fixed, casement, and awning windows are weather stripped with a bulb weatherstrip. It is inserted in an extruded slot at the exterior perimeter of the vent and on the interior perimeter of the frame bar. 2 rows are used to ensure low air infiltration and prevent weather penetration. The bulb seal can be replaced in the field after installation, if necessary, for maintenance purposes.



Installation Guidelines

- | All windows must be installed in prepared openings in accordance with AAMA recommendations and the below-listed manufacturers' recommendations (If shop drawings are required, please refer to approved shop drawings for installation):
- | All vent panels must be closed and locked.
- | Each unit must be installed level, plumb and square with a 1/4" clearance on the jambs and the header of the window.
- | Remove wet plaster, mortar, stucco and cement immediately.
(Note: windows should only be cleaned with mild soap and water.)
- | Do not set items on the sill.
- | In nail-on applications, a bead of caulking material should be applied to the inside nail-on fin just before installation to insure a water tight seal between the building and the window. In an equal leg window a bead of caulking material should also be applied.
- | Any attachment screws or bolts should be sealed during the process of installation.
- | After installation is complete, building paper and stucco wire (if a stucco application) should overlap the window nail-on flange.

| **Caution:** Damage will occur to the frame finish, and to the sealed glass unit, if solvents, petroleum products, or caustic chemicals such as acetone or paint thinner are used to clean window frames. Damage caused by this type of abuse is not covered under warranty.

Care & Maintenance

- | Windows should be kept free of all dust, dirt, paint and plaster.
- | The sill should be kept clean at all times. A vacuum cleaner with a crevice attachment is recommended.
- | Window should only be cleaned with mild soap and water.

Series 6500 Limited Warranty



ALUMINUM WINDOWS One (1) year limited warranty

Every All Weather Architectural Aluminum, Inc., window is guaranteed to meet industry standards for performance against defects in material or workmanship for a period of one (1) year. Broken glass or damage due to improper installation or abuse are not covered by this warranty. Industry standards are defined by the American Architectural Manufacturers Association (AAMA), WDMA (Window & Door Manufacturers Association) and CSA (Canadian Standards Association), (AAMA/WDMA/CSA 101/I.S.2/A440-05)

INSULATED GLASS Ten (10) year limited warranty

Every All Weather insulated glass unit is warranted for a period of ten (10) years from the date of manufacture except in the case of insulating glass containing decorative internal grids which are warranted for a period of one (1) year. All Weather warrants that under normal conditions of residential or light commercial use and service, moisture condensation, dust, and other foreign particles inside of the dead air space and/or loss of insulating value due to leakage of the unit at the sealed edges will not occur. In the event of a failed unit, All Weather will provide a replacement unit at no cost to the customer, or at its option, refund the original purchase price of said unit. This warranty applies to original units only and does not include removal or reinstallation.

WARRANTY IS SUBJECT TO THE FOLLOWING CONDITIONS AND TERMS

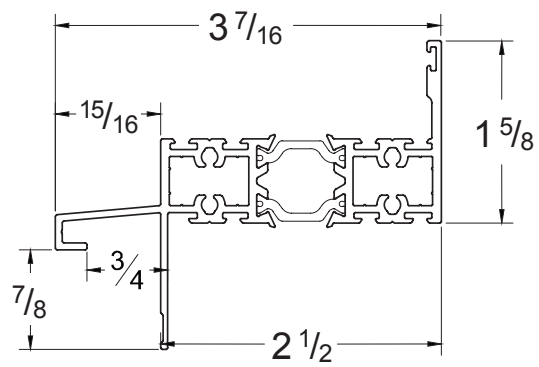
- | All Weather must be paid in full for the products to qualify.
- | The warranty on replacement units is limited to the remainder of the warranty period on the original units. Replacement units will be shipped F.O.B. original customer.
- | This warranty does not include removal or reinstallation.
- | All Weather will not assume liability for glass breakage or damage caused by improper glazing, All Weather windows shipped open for field glaze, improper installation, vandalism, misuse, abuse, or acts of nature including earthquake,

flood, and fire, or damage resulting from use in sloped glazing installations or improper treatment including exposure to any chemicals or substances detrimental to the insulating seal of the units; faulty building construction or design; or in conditions where water or moisture can accumulate and remain around the sealed edges of the units. This warranty does not cover single pane glass or IG units that are field glazed, regardless of glass supplier, to include All Weather supplied glass / units. Customer supplied glass is also not covered.

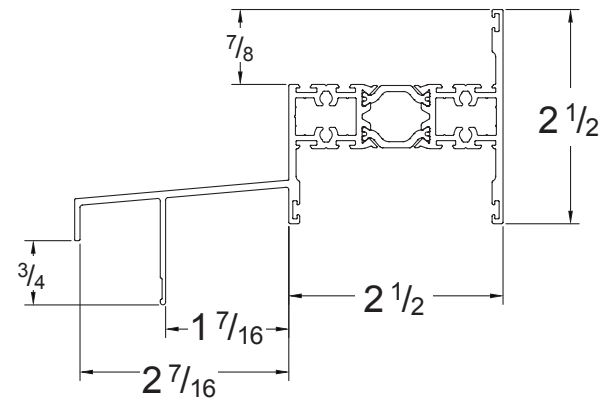
- | The warranty applies only to the original registered owner-occupant at the location where the products were originally installed and is not transferable.
- | The paint surface of any special painted material is not covered under this warranty. Warranty claims for special paint must be filed with the paint vendor and are subject to their warranty terms and conditions.
- | This warranty is void where units are installed in other than a normal residential or light commercial application or in any environment where units are exposed to excessive temperature gradients from surface to surface.

There are no warranties which extend beyond the description on the face hereof. All Weather will not be liable for any subsequent expenses involved in the removal of defective units, installation of replacement units or any other incidental or consequential damages, including but not limited to those for personal injury, arising from or alleged to have arisen from any breach of the warranty contained herein. The purchaser's exclusive remedy is limited to the legal remedies described in this warranty. All Weather makes no other warranty, either express or implied, regarding our product, its merchantability or fitness for a particular purpose. No employee representative, or dealer of All Weather is authorized to modify or change this warranty.

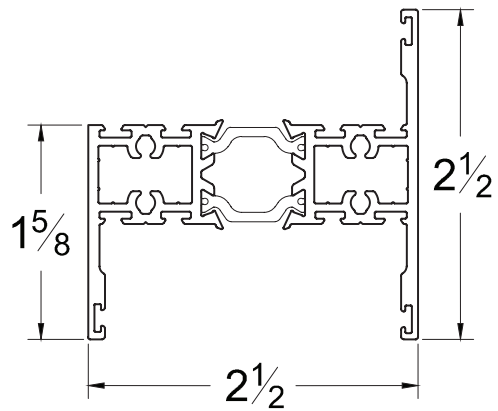
601 NAIL ON FRAME



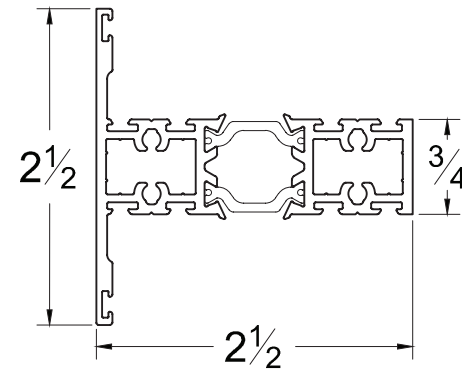
671 PANNING FRAME



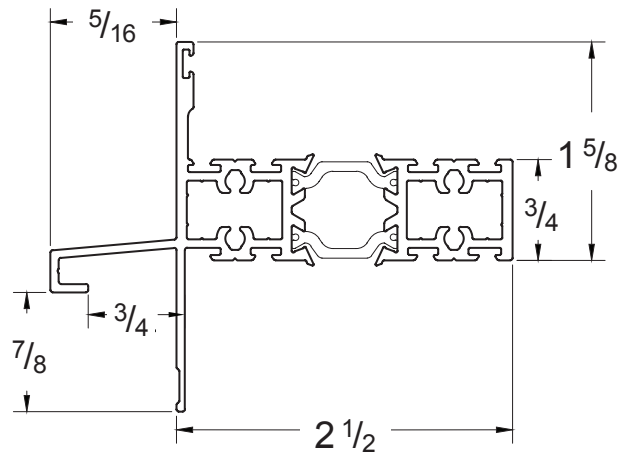
602 EQUAL LEG FRAME



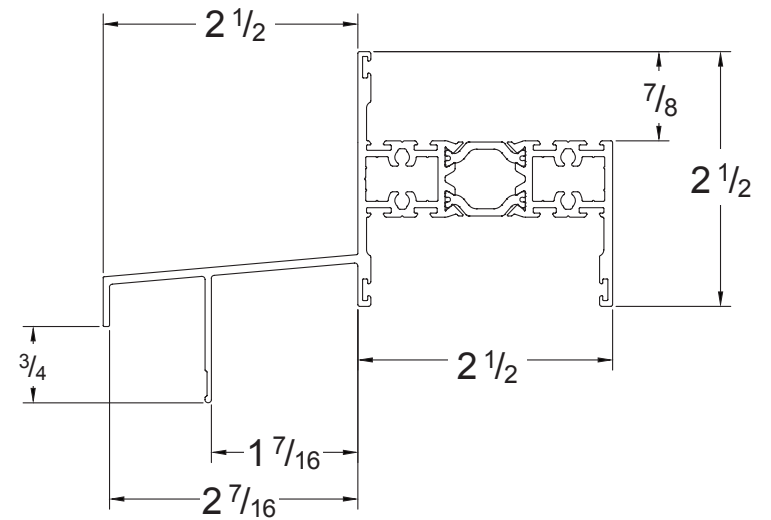
606 VENT



661 NAIL ON FRAME



672 PANNING FRAME



620 COMPENSATION CHANNEL

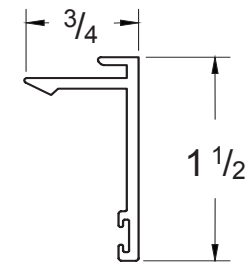
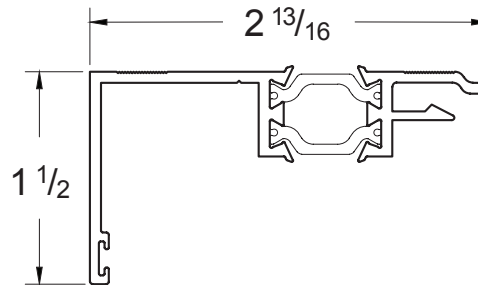
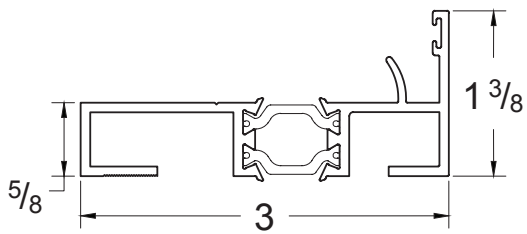
SILL

621 COMPENSATION CHANNEL

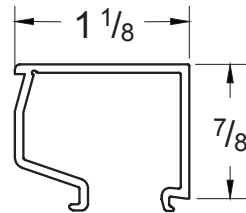
HEAD & JAMB

5622 COMPENSATION CHANNEL

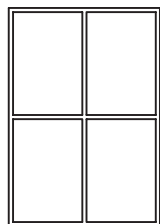
SNAP FACE



626 SQUARE BEAD

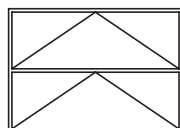


Series 6500 Configurations: Inside Glaze - Table Of Contents



FIXED

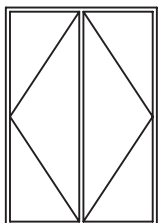
PAGE 11



EQUAL LEG AWNING

AWNING / AWNING

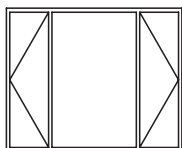
PAGE 15



EQUAL LEG CASEMENT

CSMT HL / CSMT HR

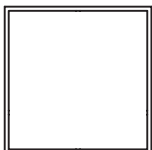
PAGE 12



EQUAL LEG CASEMENT

CSMT HL / FIXED / CSMT HR

PAGE 13

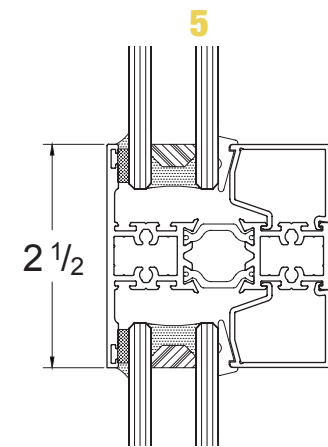
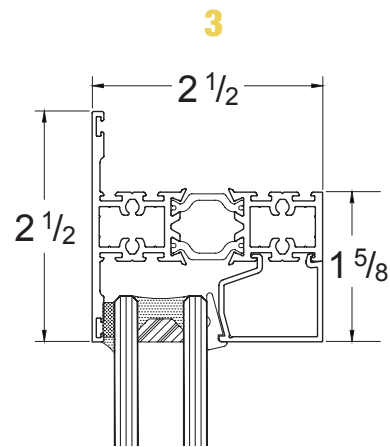
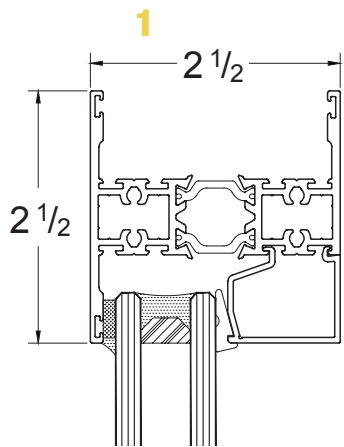
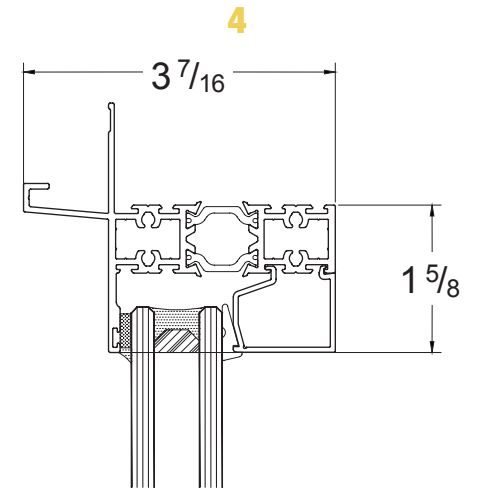
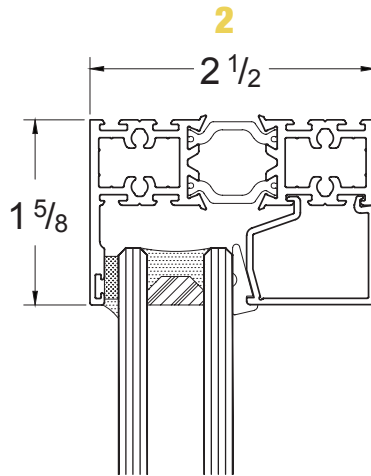
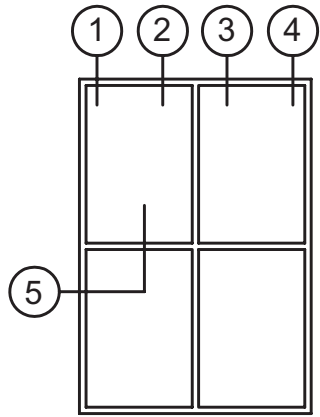


FIXED

WITH COMP CHANNEL

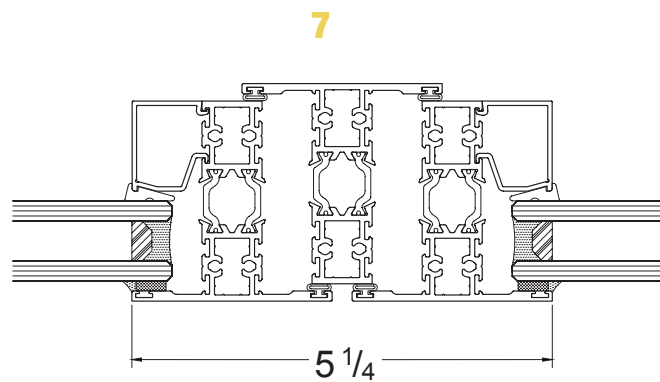
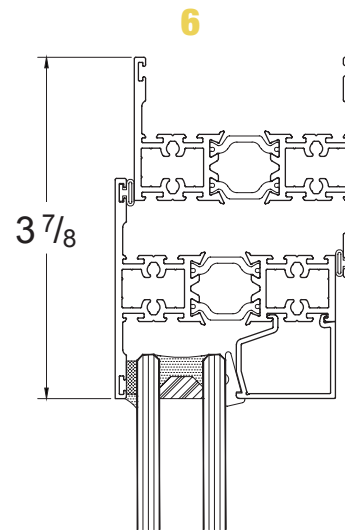
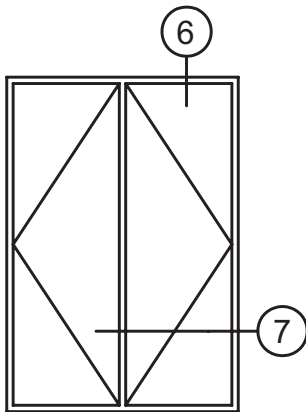
PAGE 14

FIXED



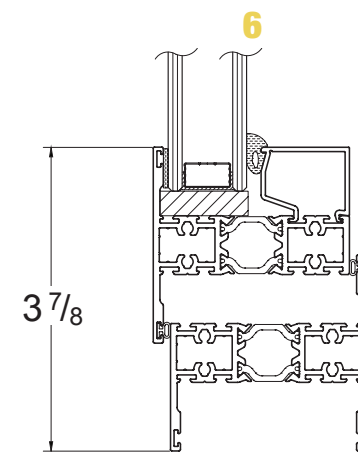
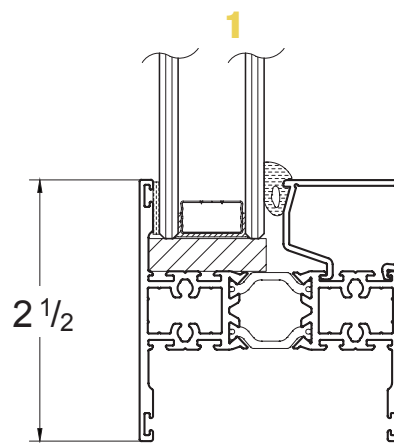
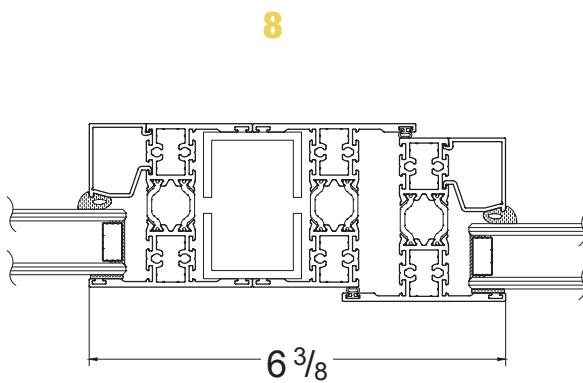
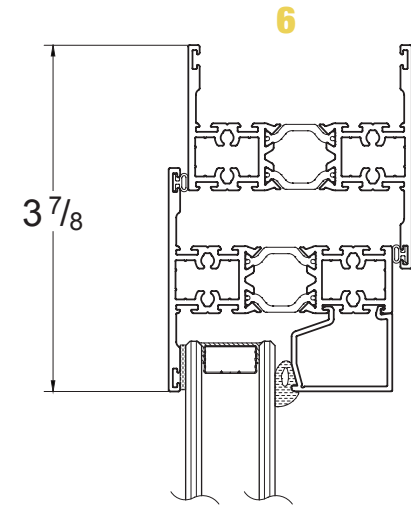
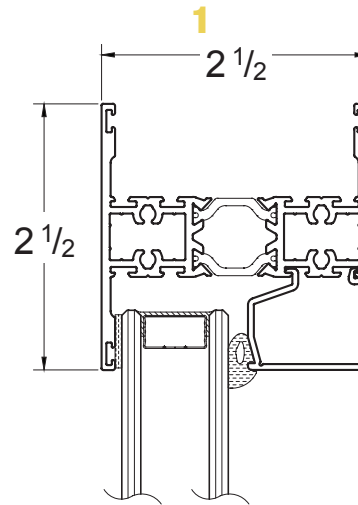
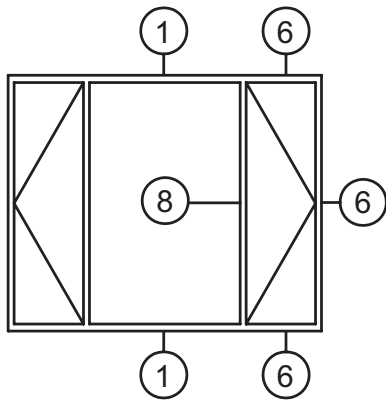
EQUAL LEG CASEMENT

CSMT HL / CSMT HR

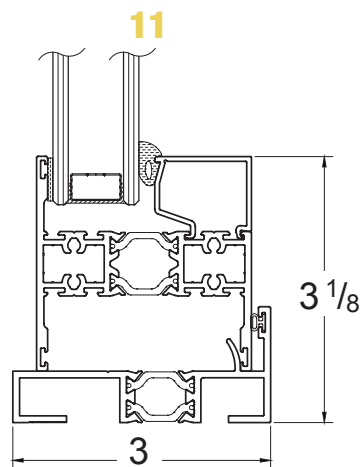
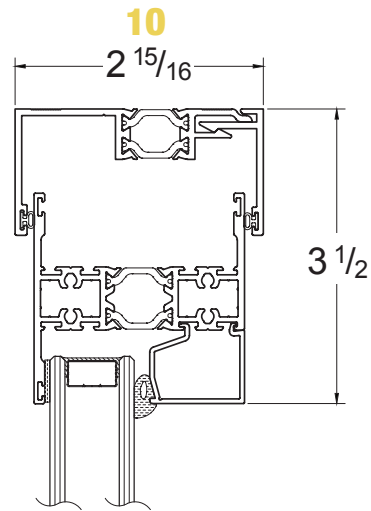
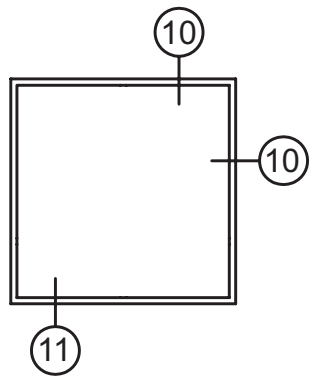


EQUAL LEG CASEMENT

CSMT HL / FIXED / CSMT HR



FIXED WITH COMP CHANNEL



AWNING

AWNING / AWNING

